



PREMIUM
& ELEGANT

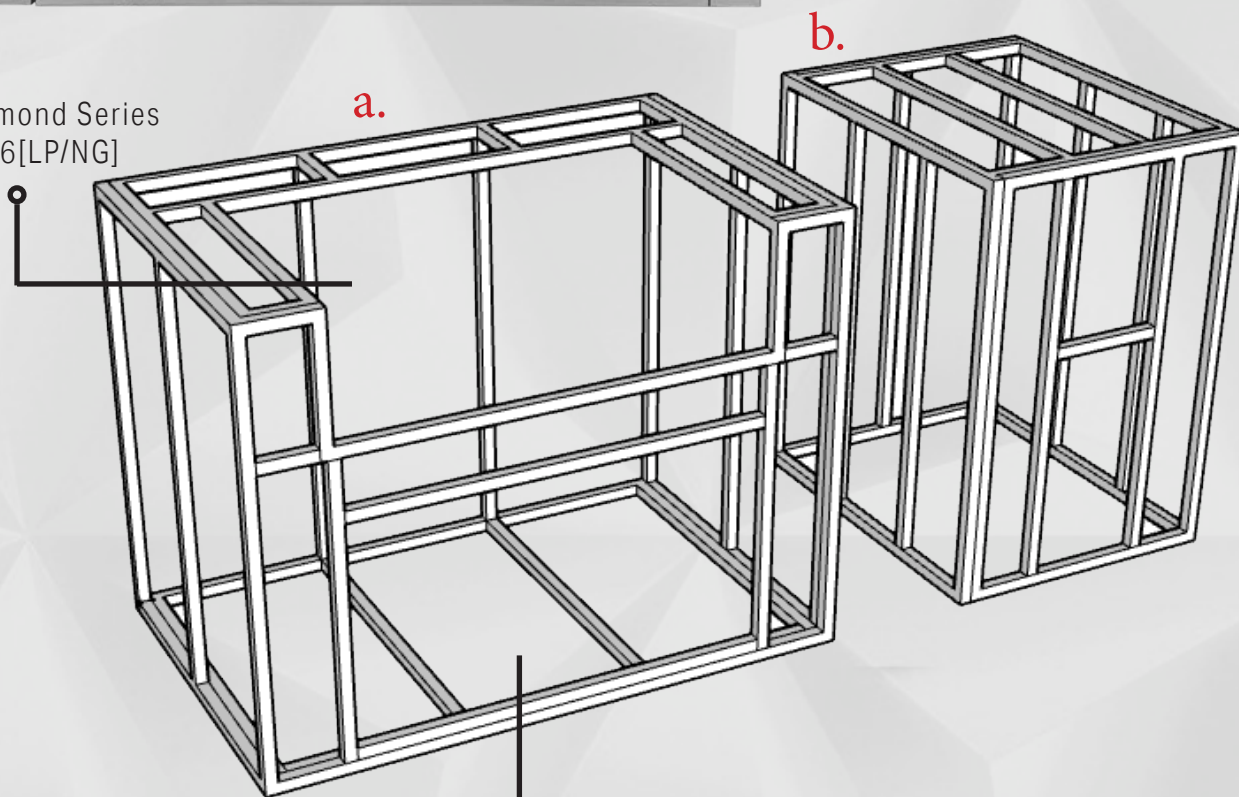
PREMIUM GRILLS + BBQ ISLANDS

Discover our Diamond Series Collection. Choose from our selection of Grills, Griddles, Side Burners, and BBQ Island Accessories. Ask about our KDI BBQ ISLANDS.

DIAMOND SERIES 1



1.
36" Diamond Series
DG-4B36[LP/NG]



a.

b.

2.
36" Double Doors
DG-36DD



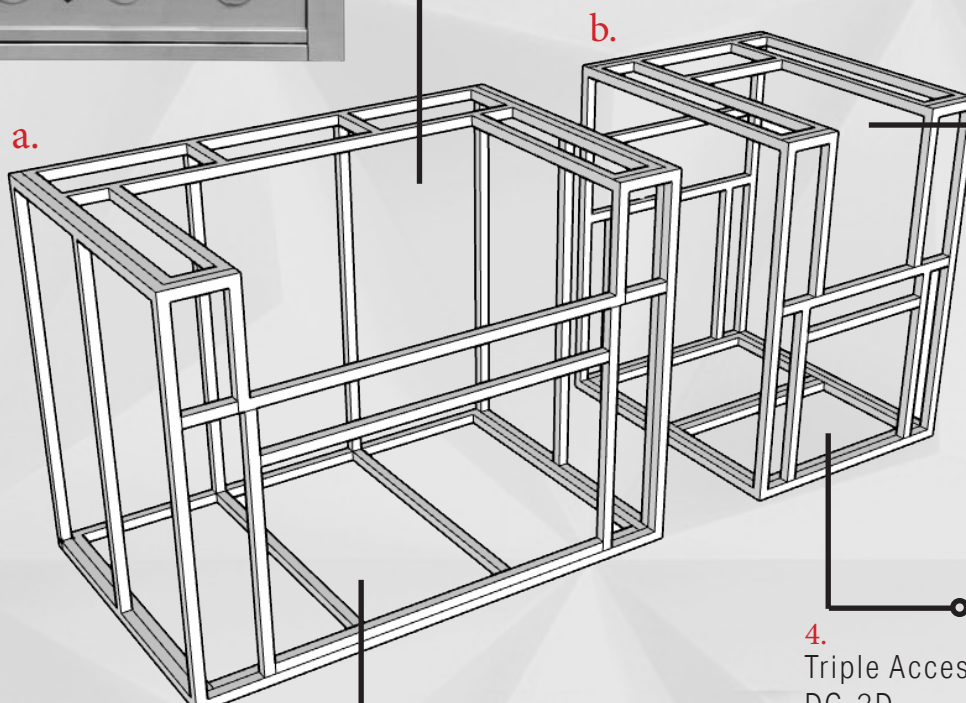
1. 36" Diamond Series
2. 36" Double Doors
a. 48" Island [DG-48FI]
b. 24" Island Flat [DG-24FCI]

DIAMOND SERIES 2

1.
36" Diamond Series
DG-4B36[LP/NG]



2.
Double Side Burner
DG-DSB [LP/NG]



a.

b.

4.
Triple Access Drawers
DG-3D



3.
36" Double Doors
DG-36DD



- 1. 36" Diamond Series
- 2. Double Side Burner
- 3. 36" Double Doors
- 4. Triple Access Drawers
- a. 48" Island [DG-48FI]
- b. 24" Island Side Burner [DG-24FI]

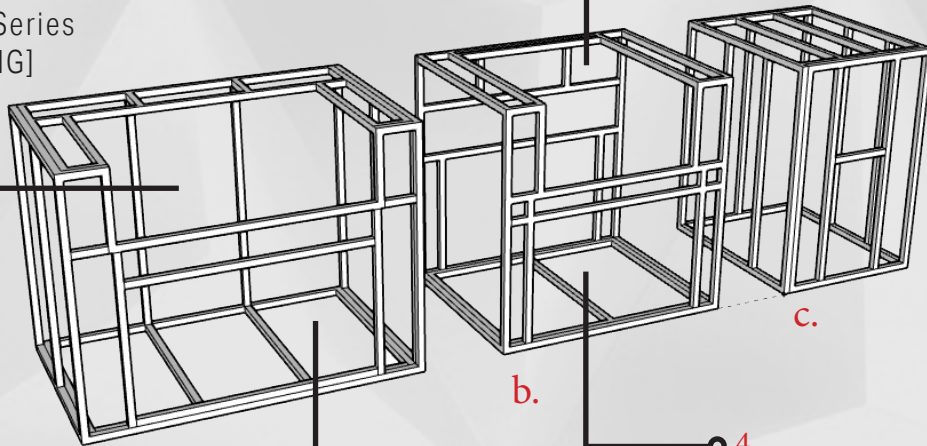
DIAMOND SERIES 3



1.
36" Diamond Series
DG-4B36[LP/NG]



2.
30" Diamond Griddle
DG-G30 [LP/NG]



a.

b.

c.

4.
30" Double
Doors



3.
36" Combo Doors & Drawers
DG-36DC



- 1. 36" Diamond Series
- 2. 30" Diamond Griddle
- 3. 36" Combo Doors & Drawers
- 4. 30" Double Doors
- a. 48" Island [DG-48FI]
- b. 36" Island [DG-36FI]
- c. 24" Island [DG-24FCI]

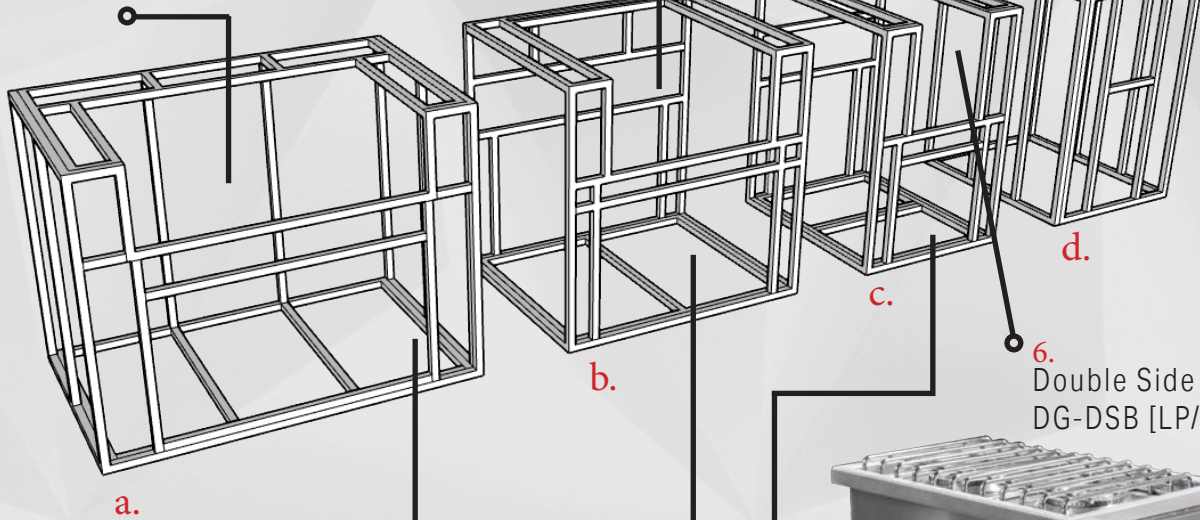
DIAMOND SERIES 4



1.
36" Diamond Series
DG-4B36[LP/NG]



2.
30" Diamond Griddle
DG-G30 [LP/NG]



a.

b.

c.

d.



3.
36" Combo Doors & Drawers
DG-36DC

4.
30" Double
Doors



6.
Double Side Burner
DG-DSB [LP/NG]



5.
Triple Access Drawers

- 1. 36" Diamond Series
 - 2. 30" Diamond Griddle
 - 3. 36" Combo Doors & Drawers
 - 4. 30" Double Doors
 - 5. Triple Access Drawers
 - 6. Double Side Burner
- a. 48" Island [DG-48FI]
 - b. 36" Island [DG-36FI] x
 - c. 24" Island [DG-24FI]
 - d. 24" Island Flat [DG-24FCI]

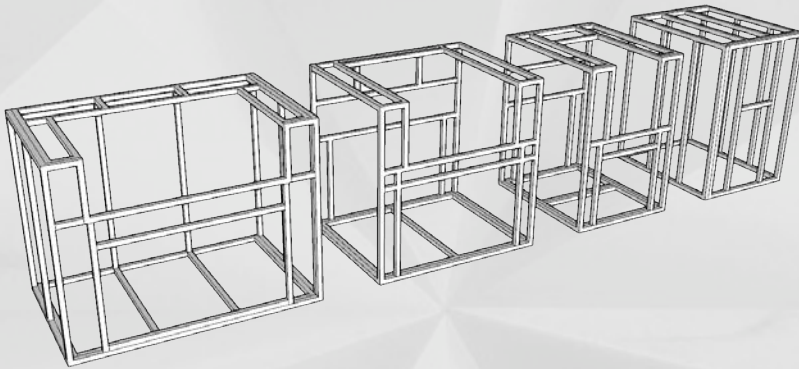
BBQ ISLANDS

a.

b.

c.

d.



BBQ ISLAND - FLAT

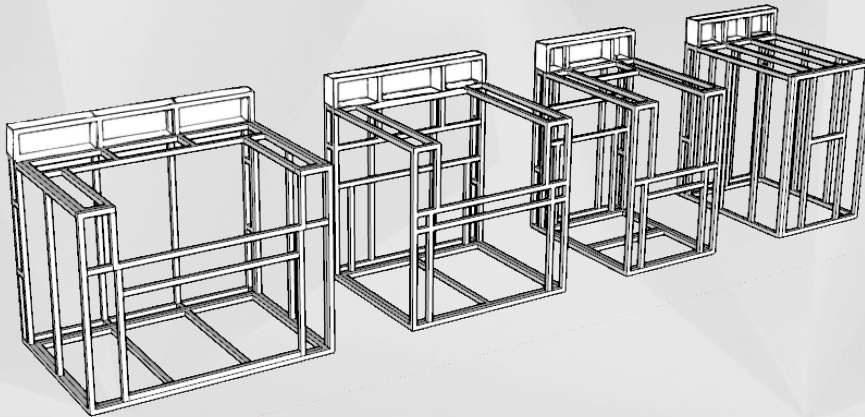
- a. **48" Island** [DG-48FI]
- b. **36" Island** [DG-36FI]
- c. **24" Island** [DG-24FI]
- d. **24" Island** [DG-24FCI]

a.

b.

c.

d.



BBQ ISLAND - BACKSPLASH

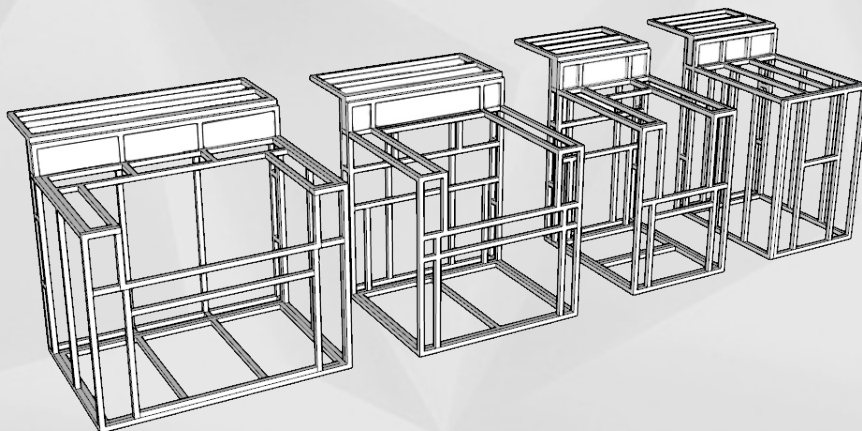
- a. **48" Island with Backsplash** [DG-48BSI]
- b. **36" Island with Backsplash** [DG-36BSI]
- c. **24" Island with Backsplash** [DG-24BSI]
- d. **24" Island with Backsplash** [DG-24BSFII]

a.

b.

c.

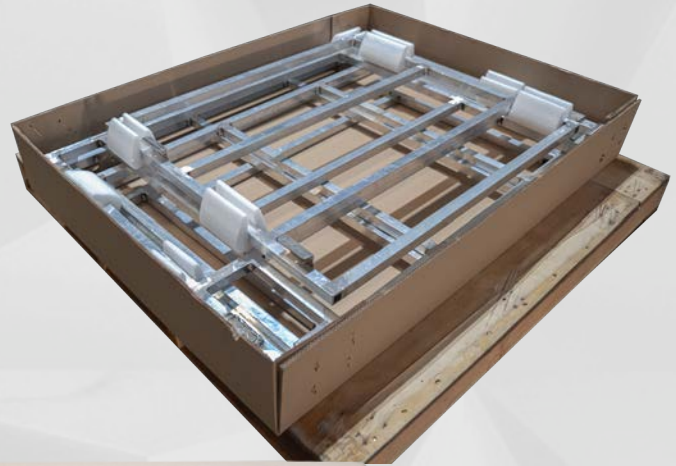
d.



BBQ ISLAND - WITH BAR

- a. **48" Island with Bar** [DG-24BTI]
- b. **36" Island with Bar** [DG-36BTI]
- c. **24" Island with Bar** [DG-24BTI]
- d. **24" Island with Bar** [DG-24BTFI]

COMPACT PACKAGING



**SAVE TIME
AND
MONEY**

BENEFITS

- Quick build time
- Save Money on Freight
- Save money on labor



36" Diamond Series
DG- 4B36 [LP/NG]



30" Diamond Griddle
DG- G30 { LP/NG}



Double Side Burner
DG- DSB { LP/NG}



36" Combo Doors & Drawers
DG-36DC

18" Single Access Door
DG-18SD



36" Double Doors
DG-36DD



30" Double Doors
DG-30DD



Propane Tank Drawer
DG - MFD



Triple Access Drawers
DG - 3D



Scan QR code or
visit us on website
www.diamondgrillsbbq.com

